



Product Specifications



Color: Silver

Basic parameters

Name	Fully enclosed variable frequency charger
Brand	Summit Charger
Model	SMCZ6-1.4kW
Battery parameters	Battery type & Series number ? Nominal voltage ?V Max output voltage ?V; Max ?V/cell Capacity ?Ah
Cooling way	Air Cooling
Size	L 282mm* W 130mm* H 82mm
Net weight	2.5 kg
Efficiency	>93%
IP	66
Certification	CE FCC
Working temperature	- 20 — 85 °C
Protective properties	1.Output over voltage protection; 2.Output over current protection; 3. Output short circuit protection; 4.Output reverse protection; 5. Over temperature protection of charger; 6. Over temperature protection of battery.
Warranty	12 months

Specific parameters

Input	Rated input voltage	AC220V±15% / AC90-264V Single-phase three-wire system
	Waveform	Sine wave
	Frequency	40-70 Hz

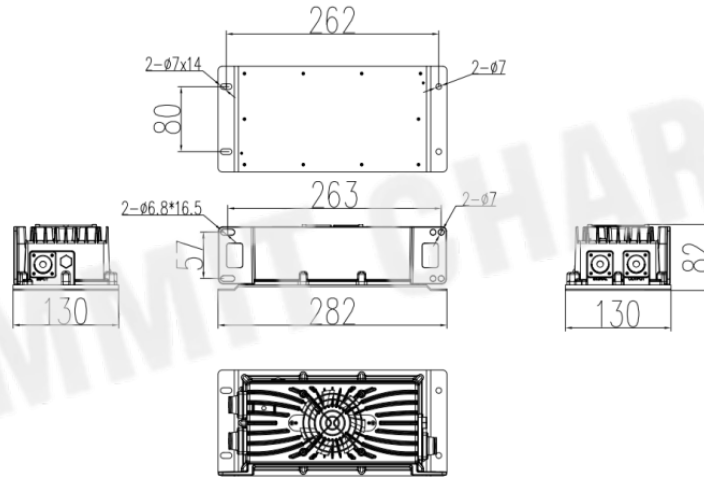


	Input current	≤10A		
	Power factor	0.99@220VAC full load		
	Input connectors	EU Plug(Optional)		
	Input cable	1.4m		
	Others	/		
	Model No.	AC Input Voltage	Rated-Max output voltage	Max Output current
	SMCZ6-4820A	AC220V±15%(A)	48V~60V Max	20A
	SMCZ6-6015A/12C		60V~75V Max	15A/12A
	SMCZ6-7215A/7215C	AC90-264V(C)	72V~90V Max	15A
Output	Output power limit	1400W		
	Output connectors	DC SC50(Optional)		
	Output cable	1.5m		
	Others	/		
Extended Functions	CAN	Optional, CAN 2.0B-250kbps or 500kbps;		
	485	NO		
	12V Auxiliary power	NO		
	CP	NO		
	CC	NO		
	High voltage interlock function	NO		
	Charging lock	Optional		
	Bluetooth	NO		
	External Indicator	Optional		
	Built in Indicator	YES		
	Handle	Optional		
	External program replacement interface	NO		
Package & Delivery	Carton size	: 36*30*25cm		
	Gross weight	: 4.5kg		
	Sample Lead time	: 5-8 days		



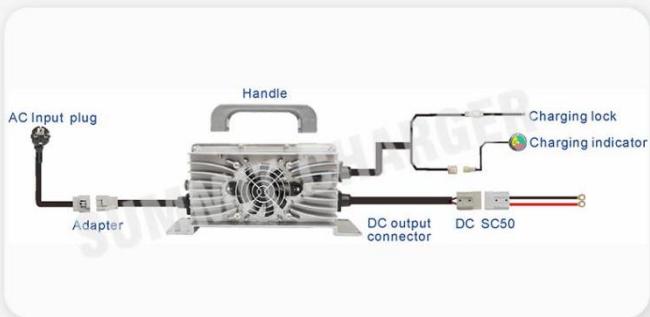


Installation dimensions



Pictures

SUMMIT CHARGER



- AC Input plug: Optional
- DC Output connector: Optional
- Handle: Optional
- Charging lock: Optional
- Charging indicator: Optional

SUMMIT CHARGER



Contact: Cecile Chen
Company: Sichuan Summit Power Co., Ltd
TEL/WhatsApp/Wechat: +86 18581533864
Email: sales02@summitcharger.com

No text below.